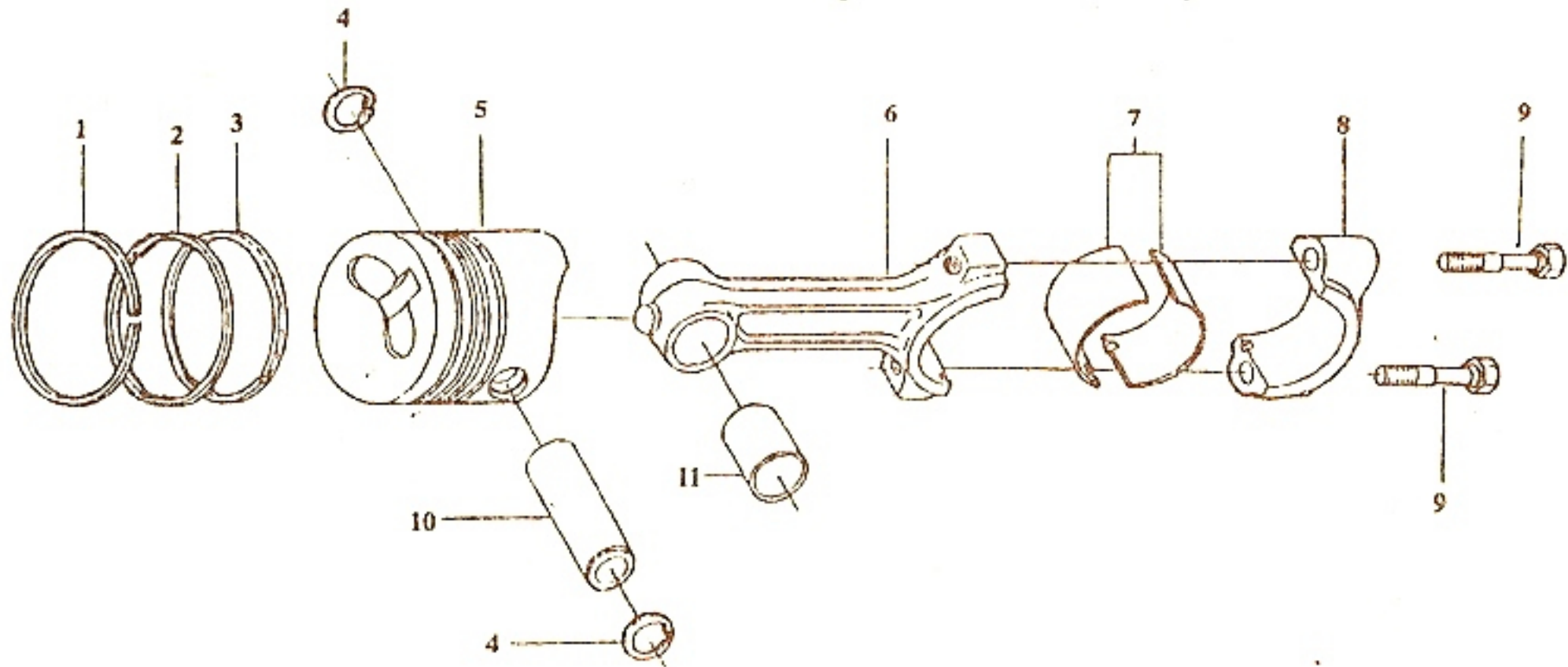
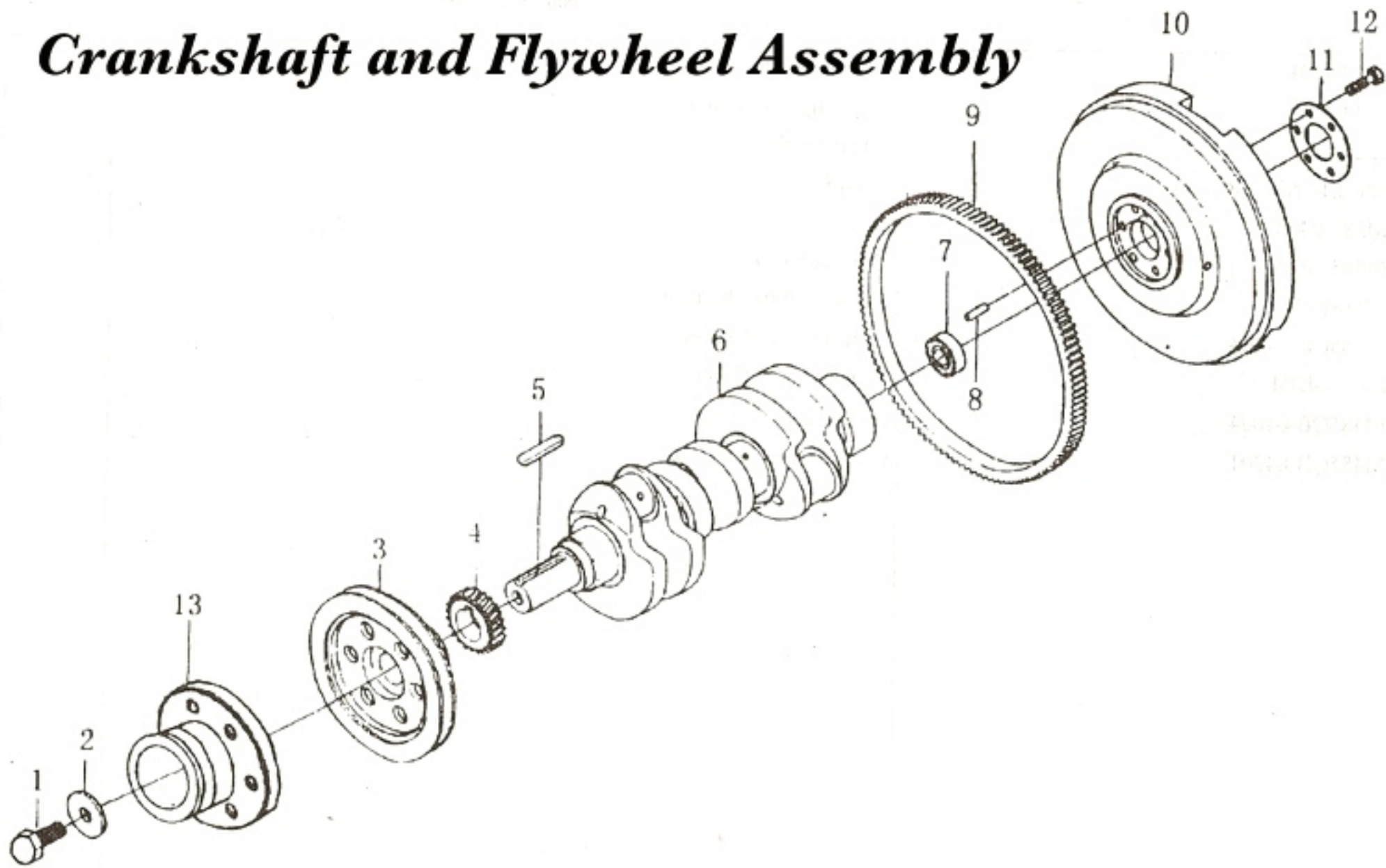


Camshaft Assembly

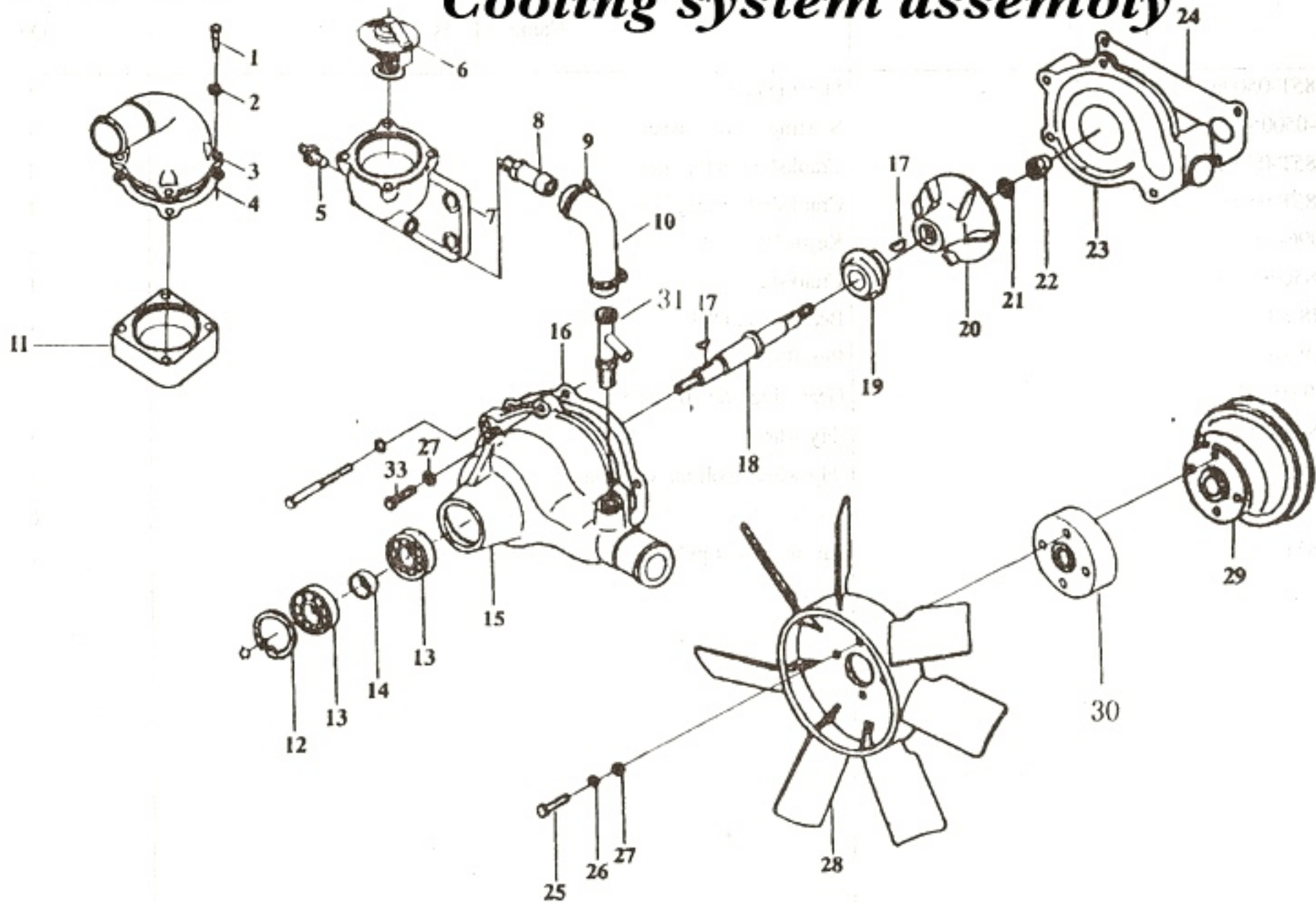
Piston and connecting Rod assembly



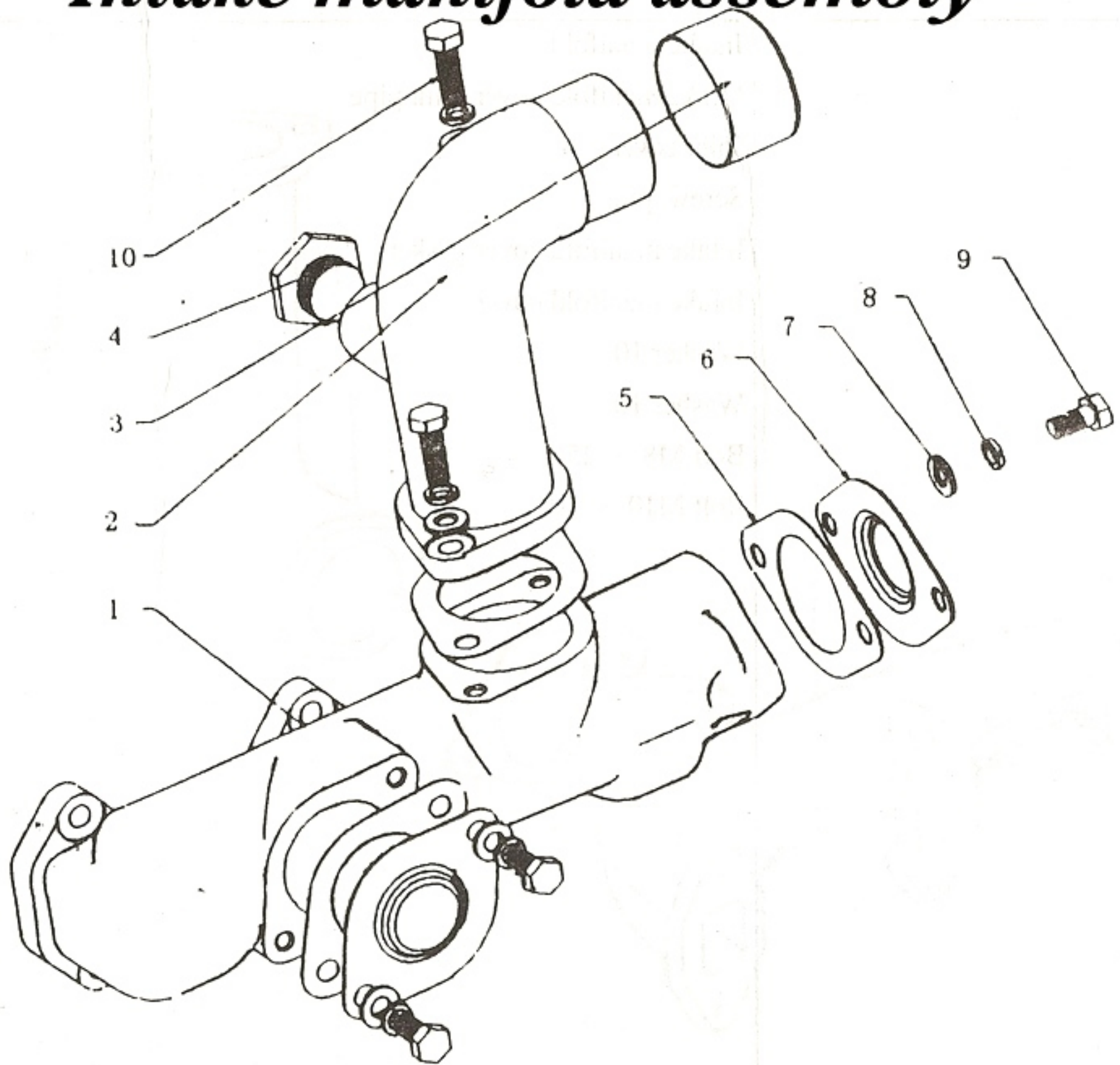
Crankshaft and Flywheel Assembly



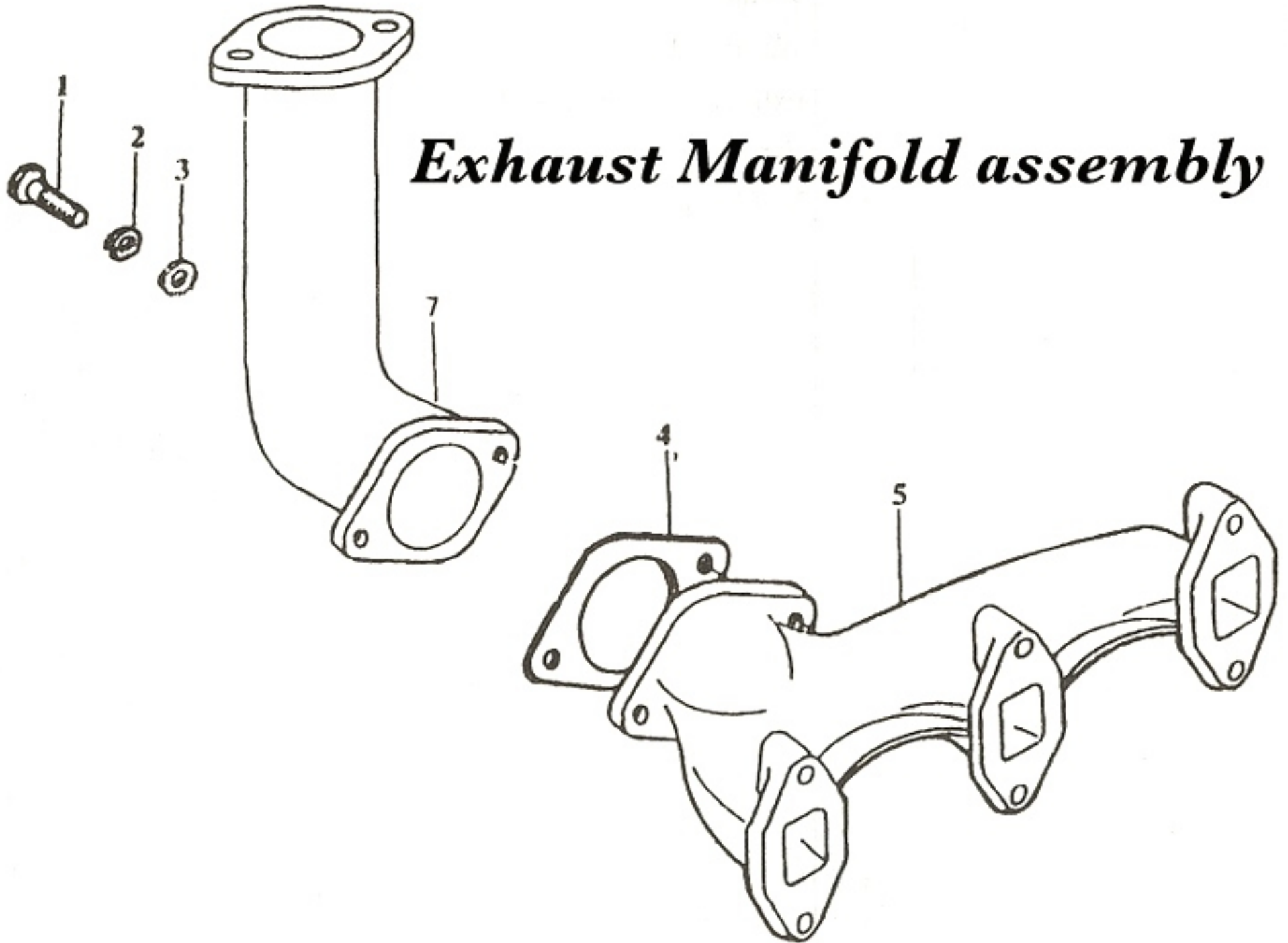
Cooling system assembly

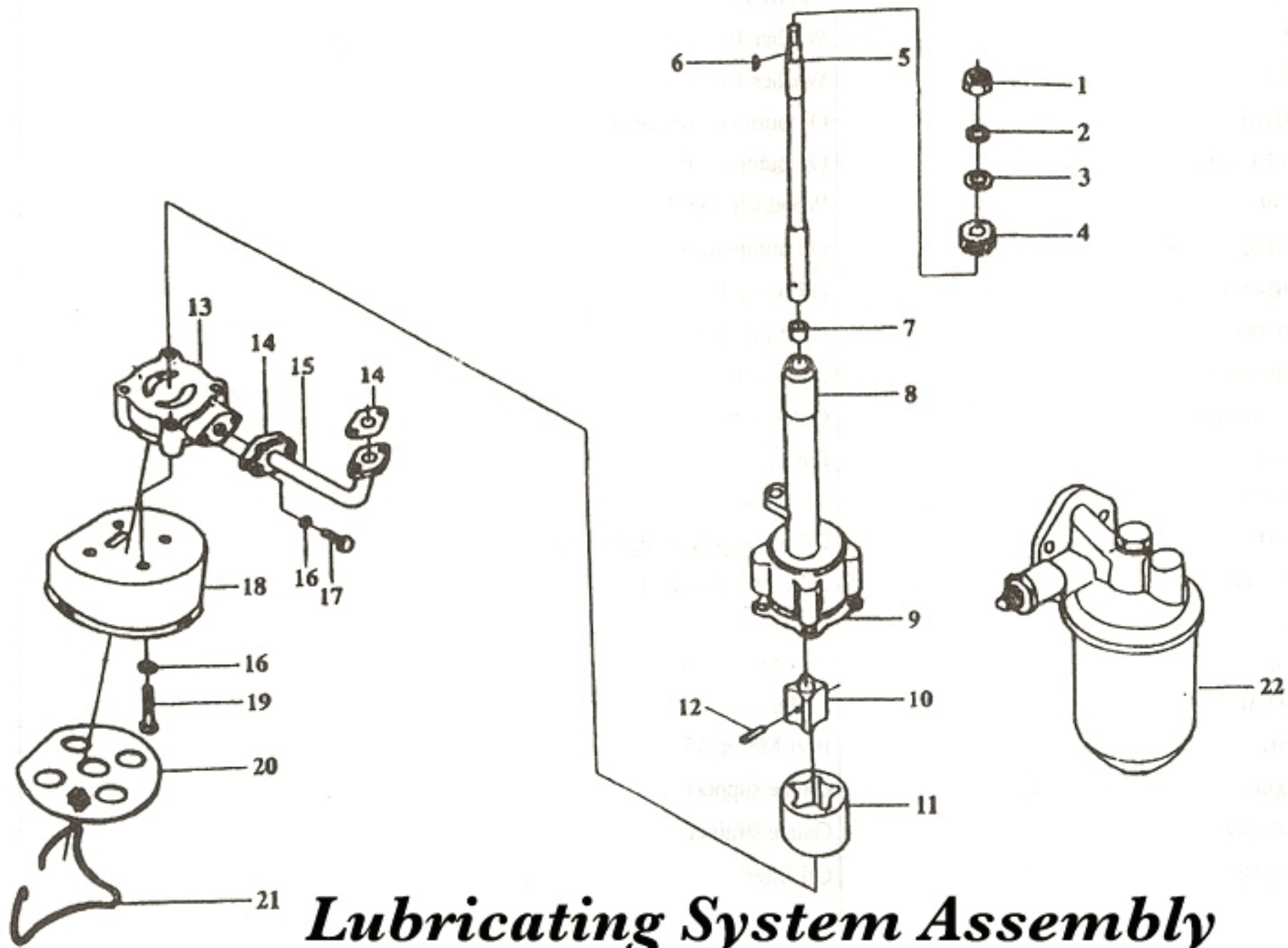


Intake manifold assembly



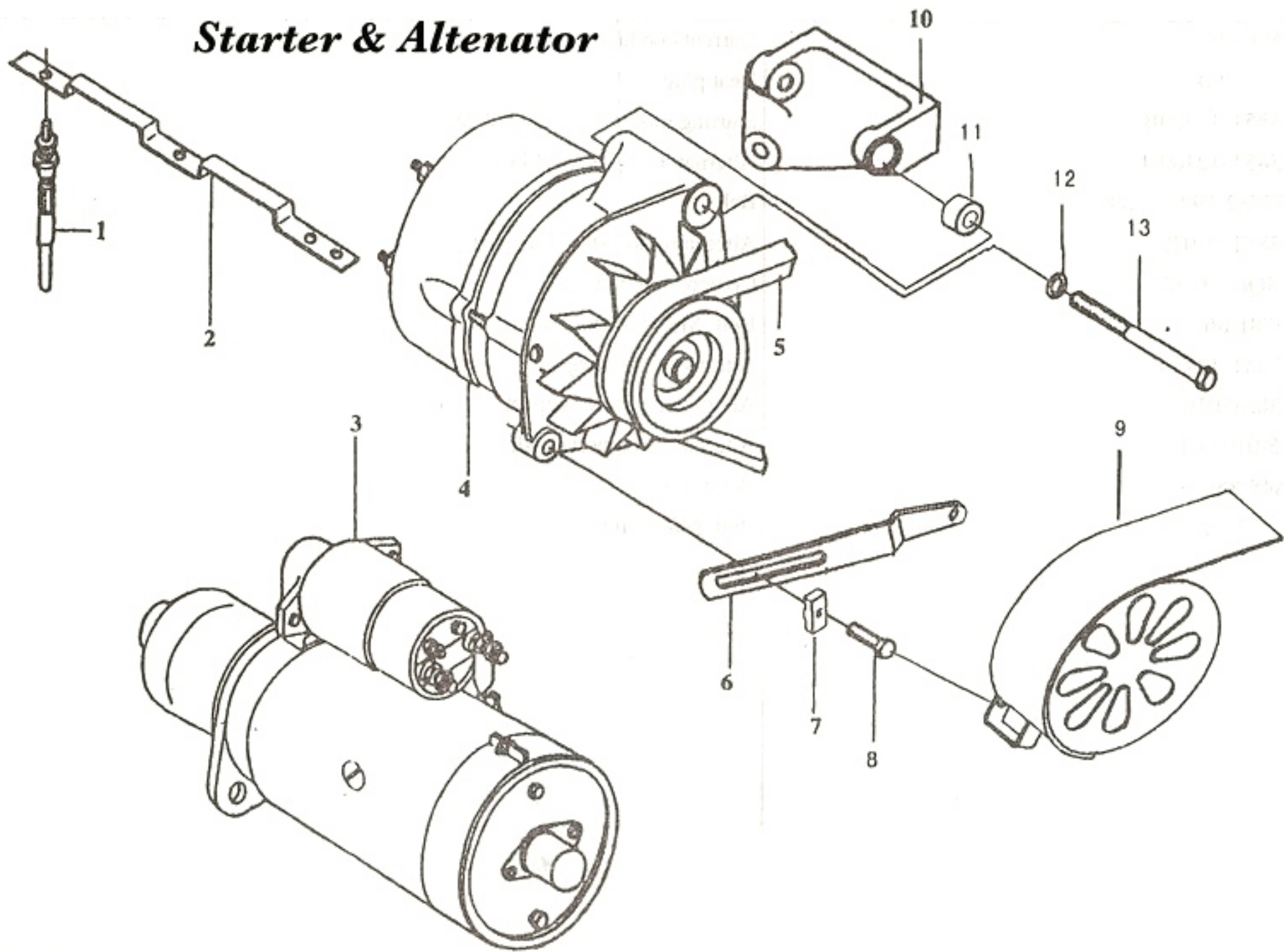
Exhaust Manifold assembly



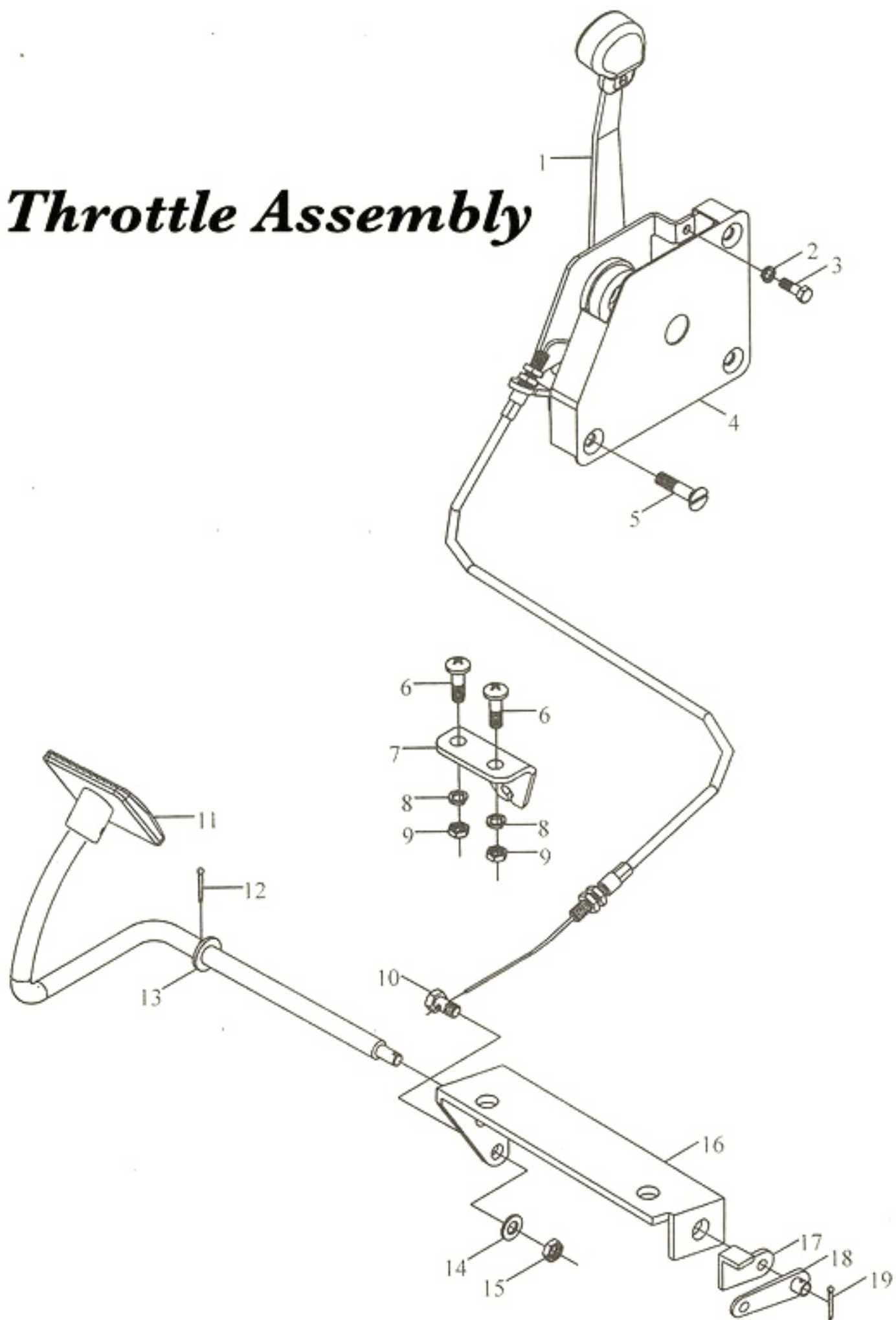


Lubricating System Assembly

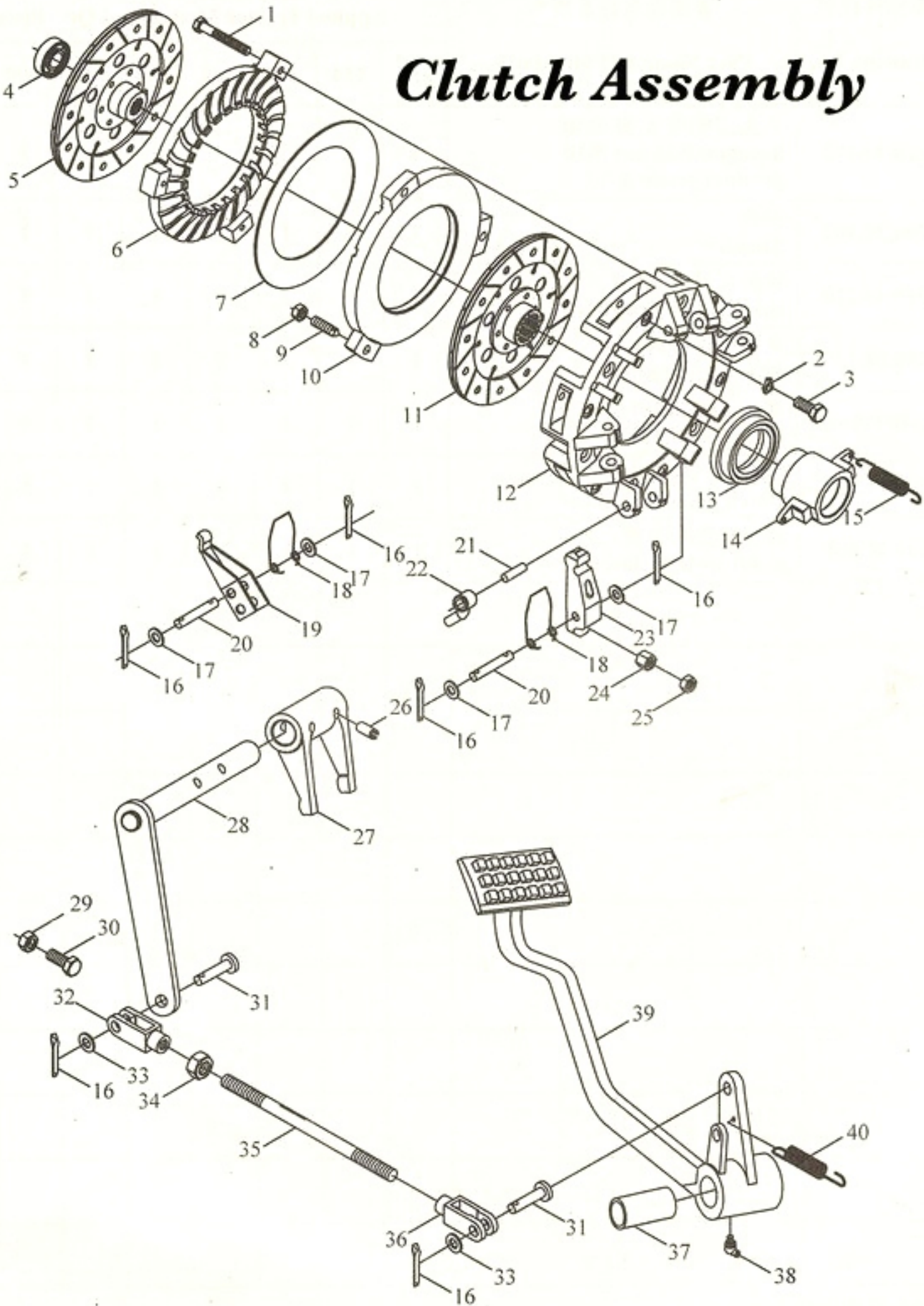
Starter & Alternator



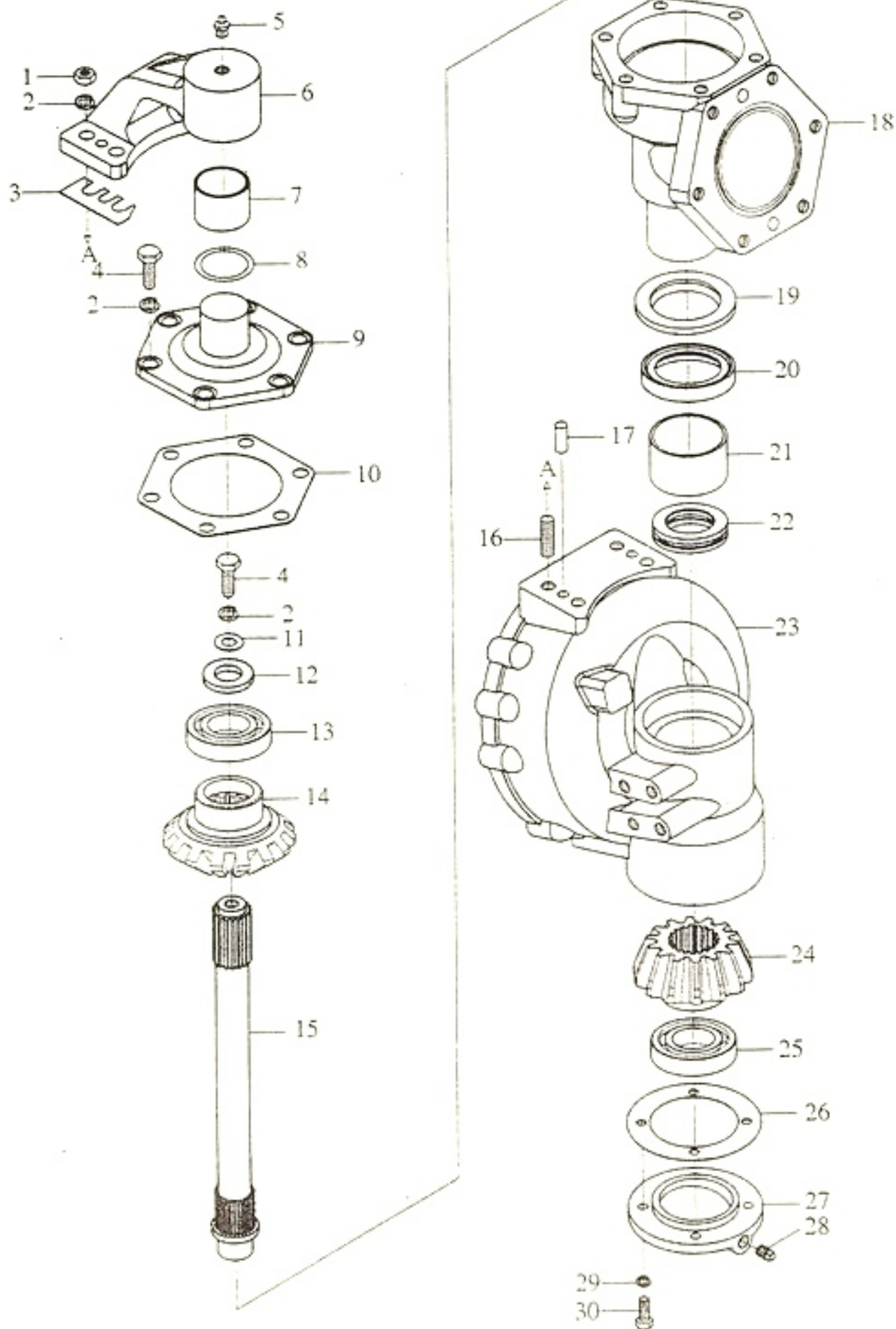
Throttle Assembly



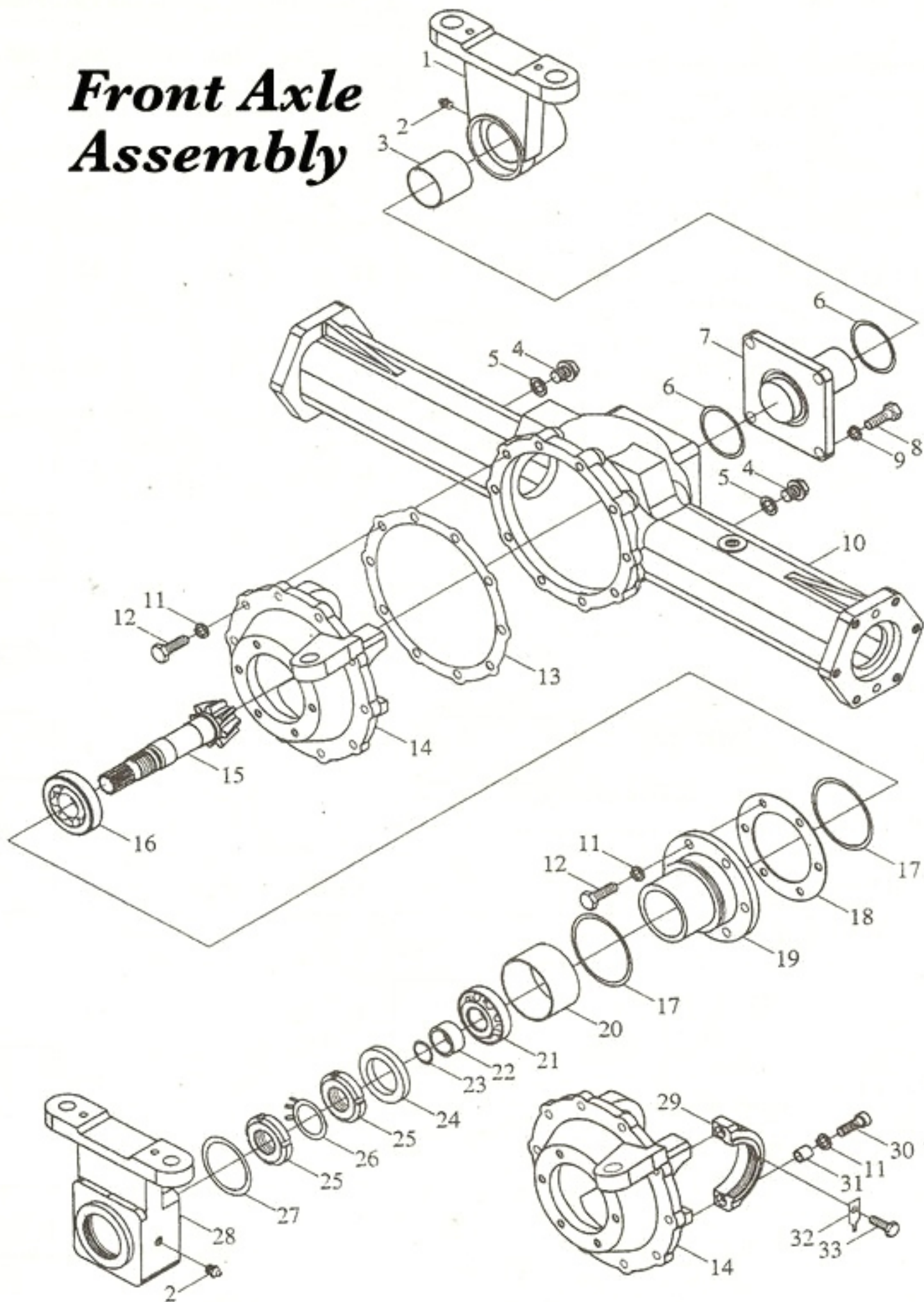
Clutch Assembly



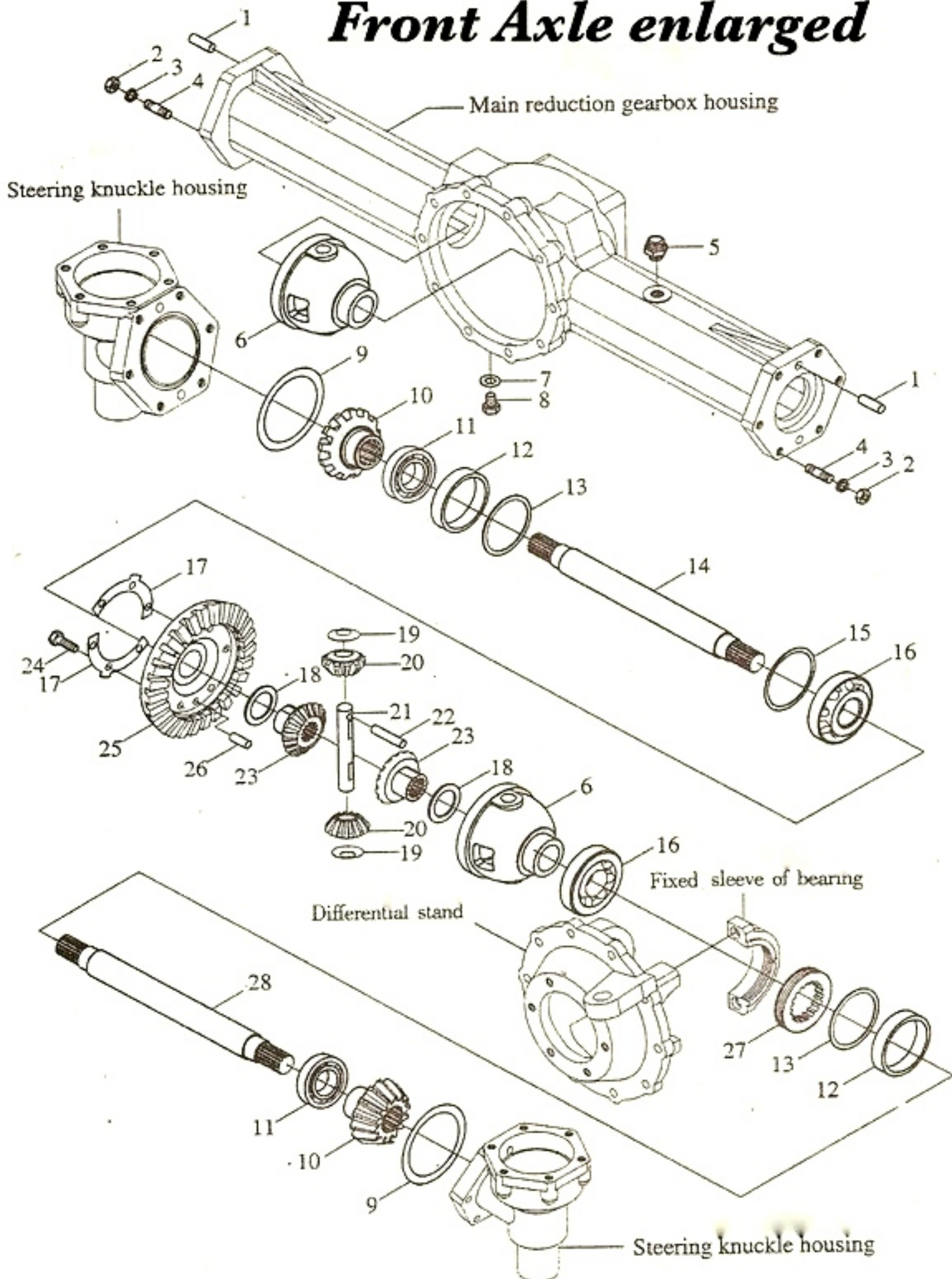
Front Hub Assembly



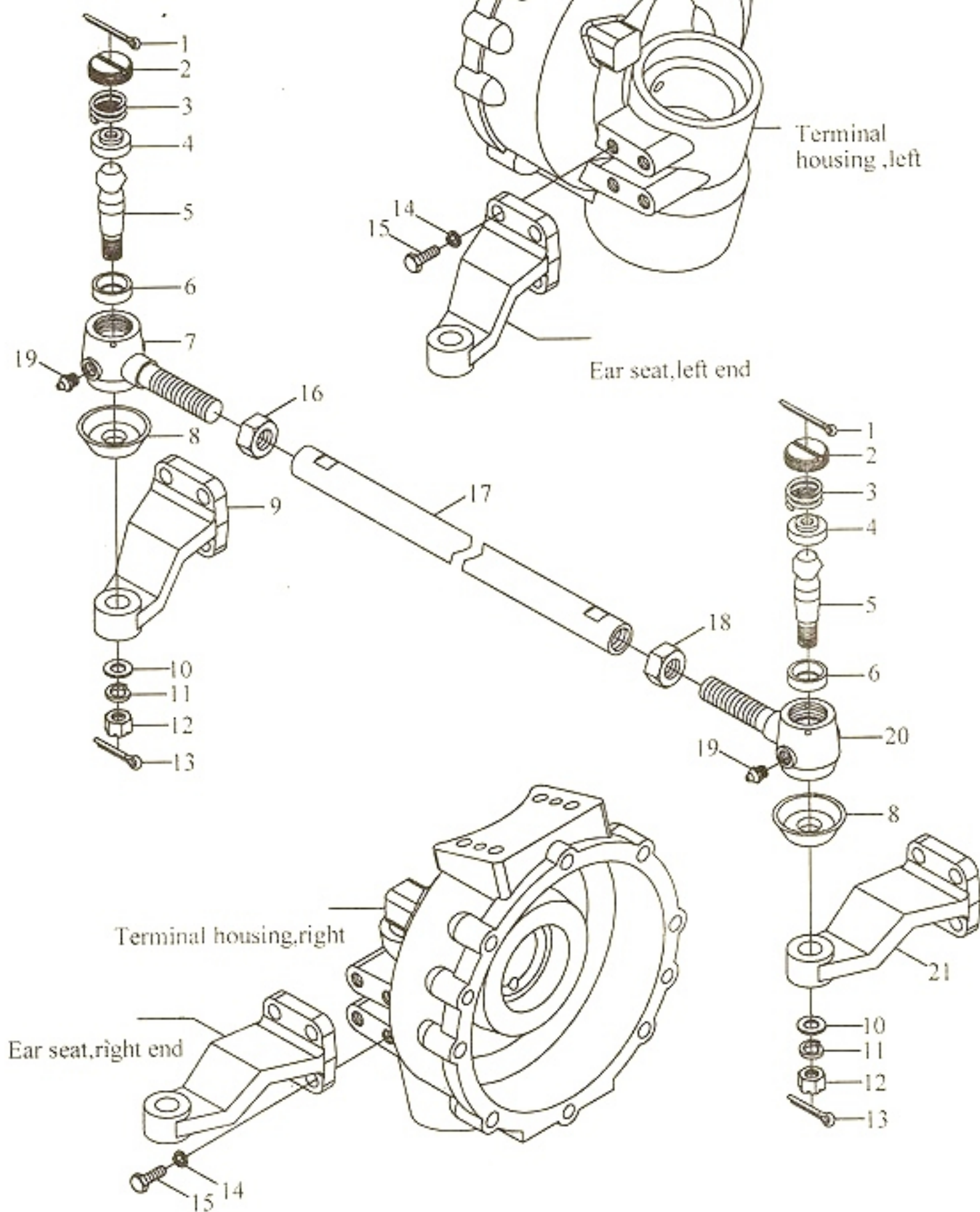
Front Axle Assembly



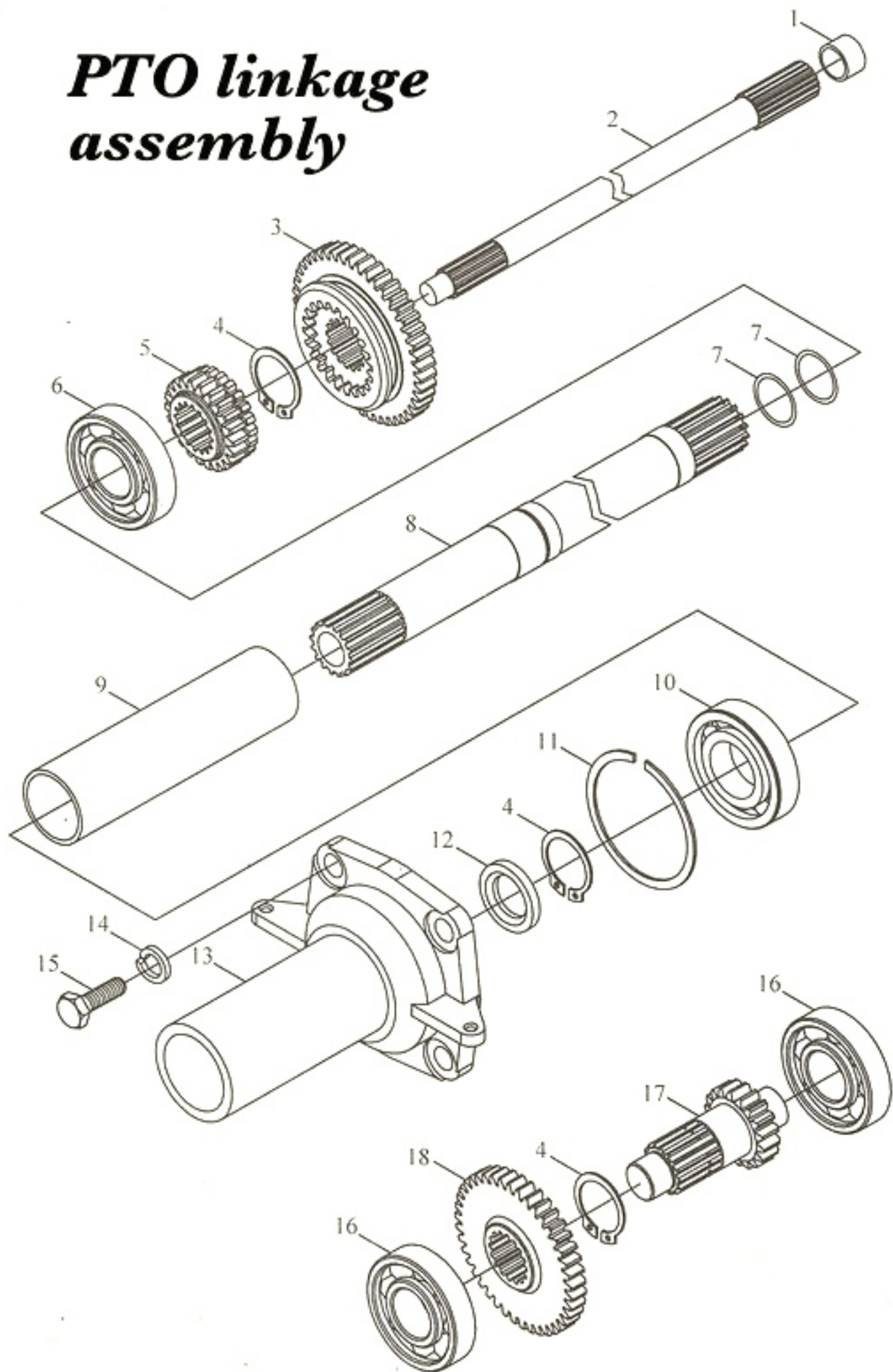
Front Axle enlarged



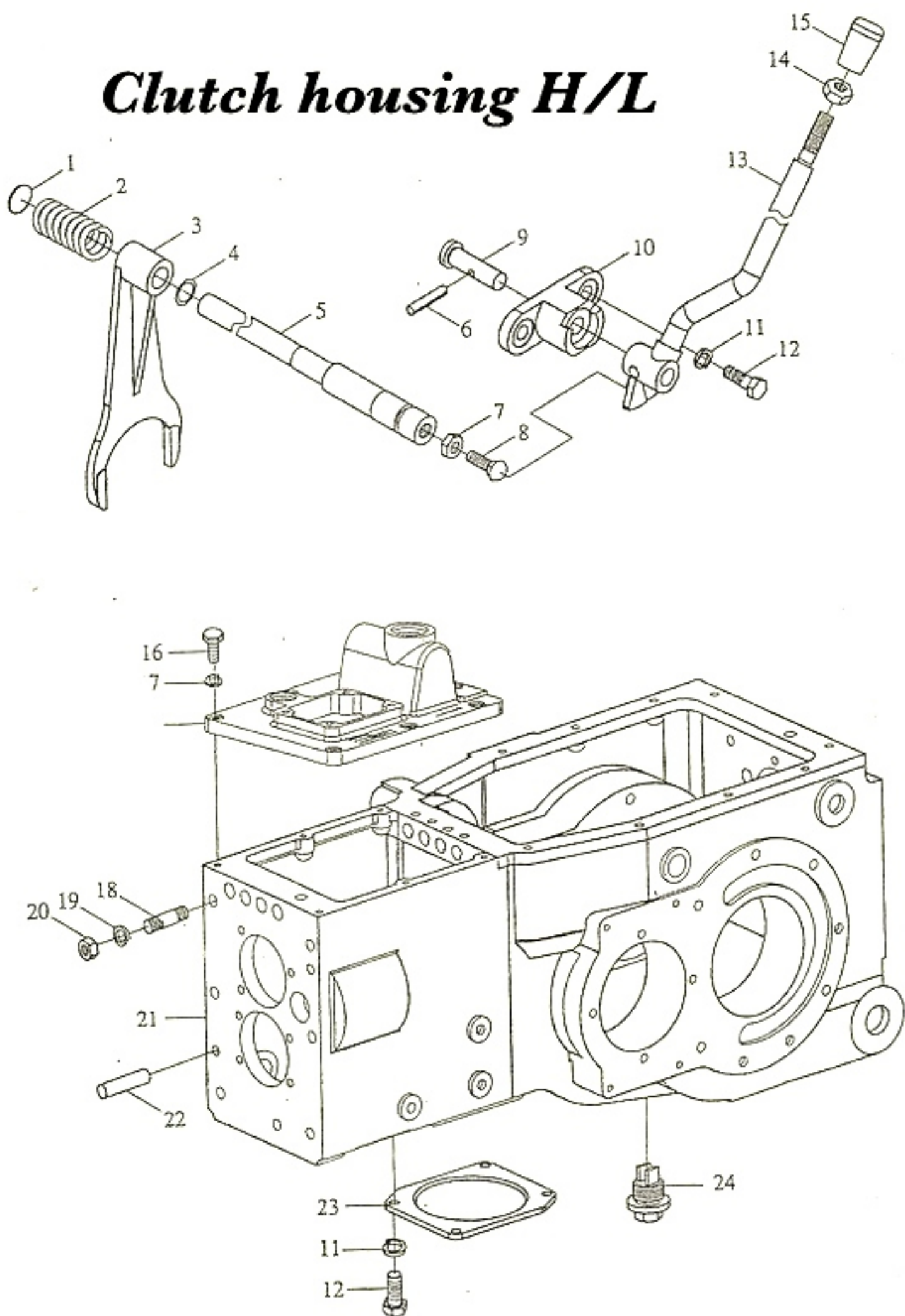
Tie Rod & Assembly



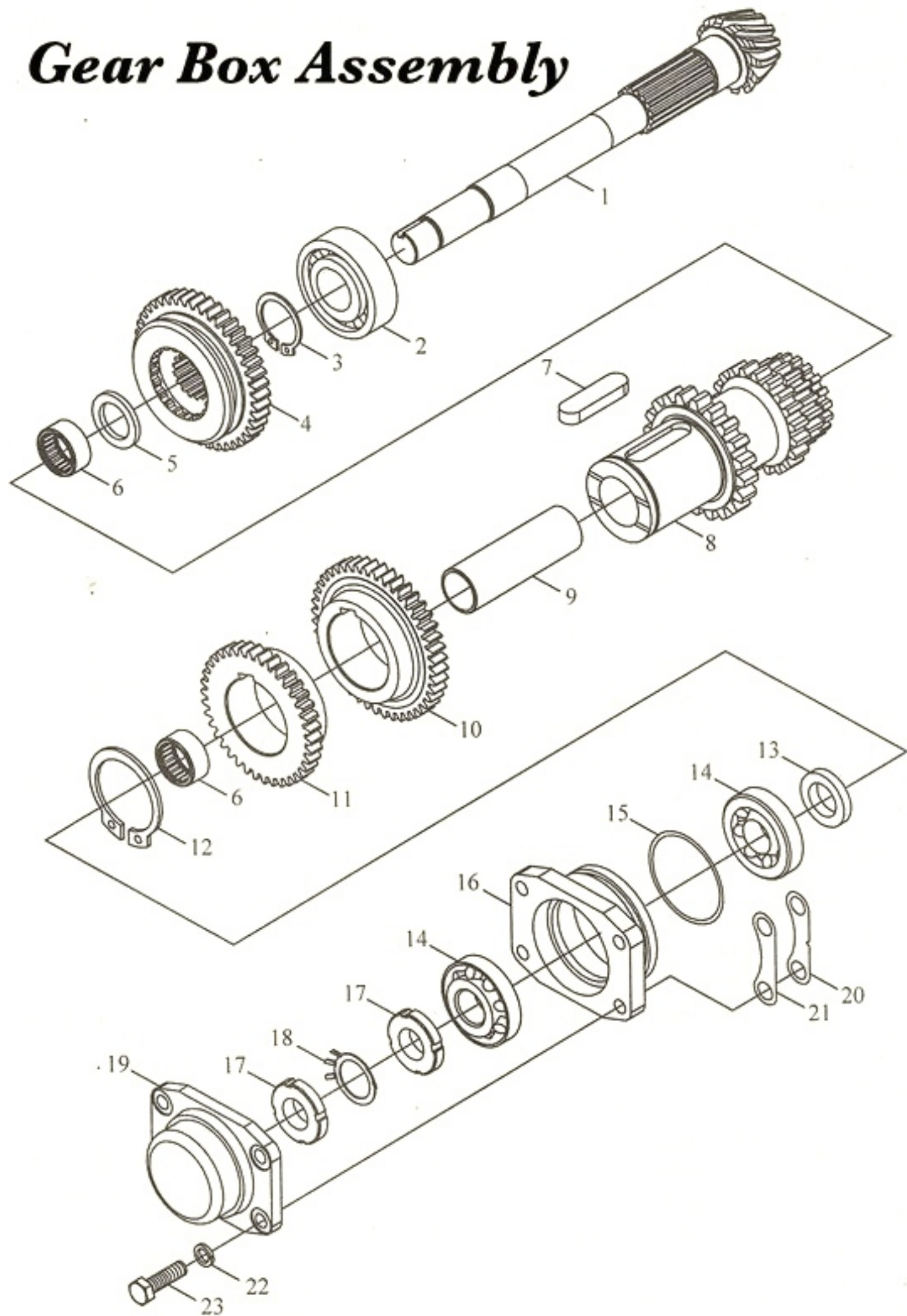
PTO linkage assembly



Clutch housing H/L

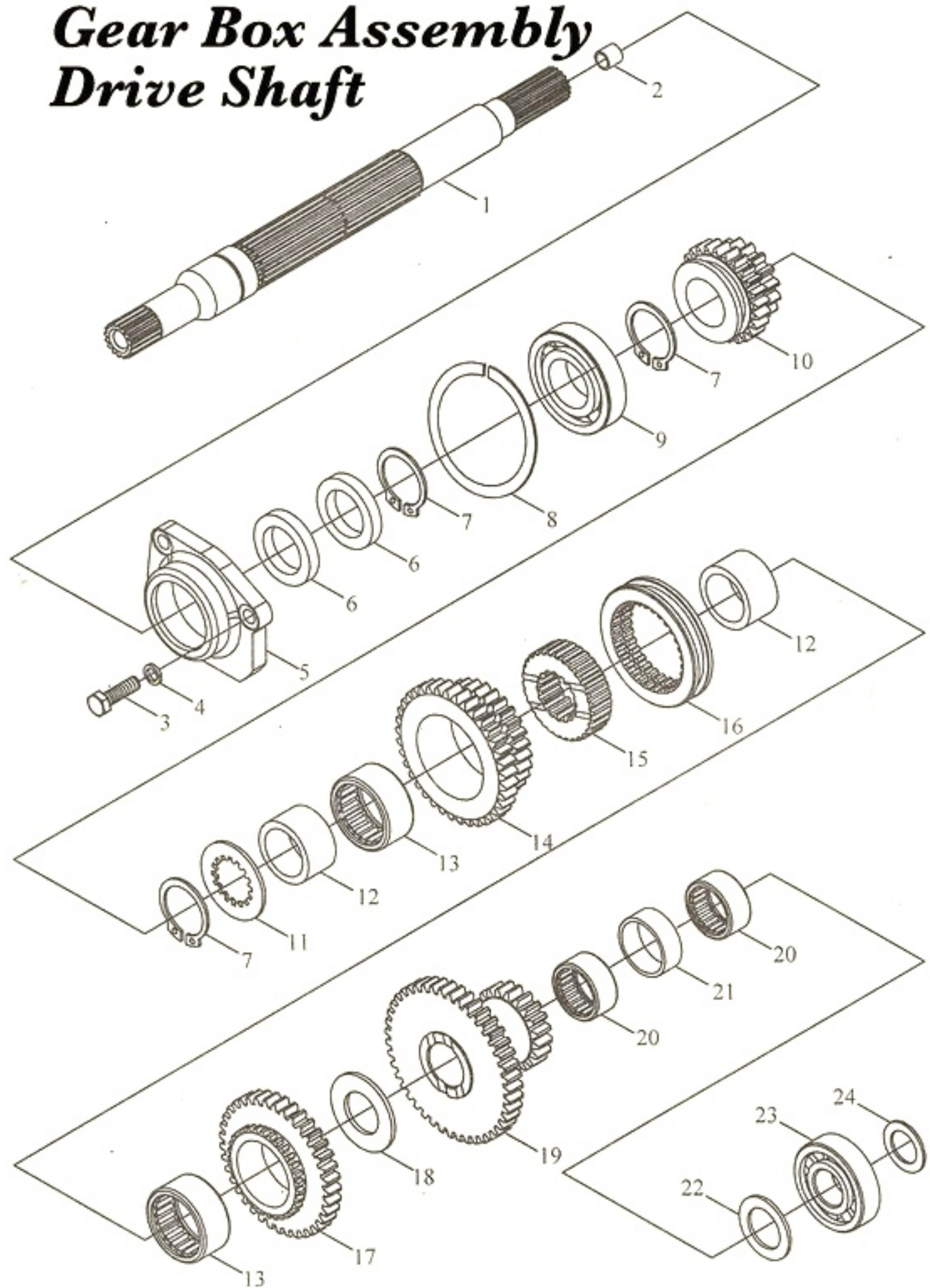


Gear Box Assembly

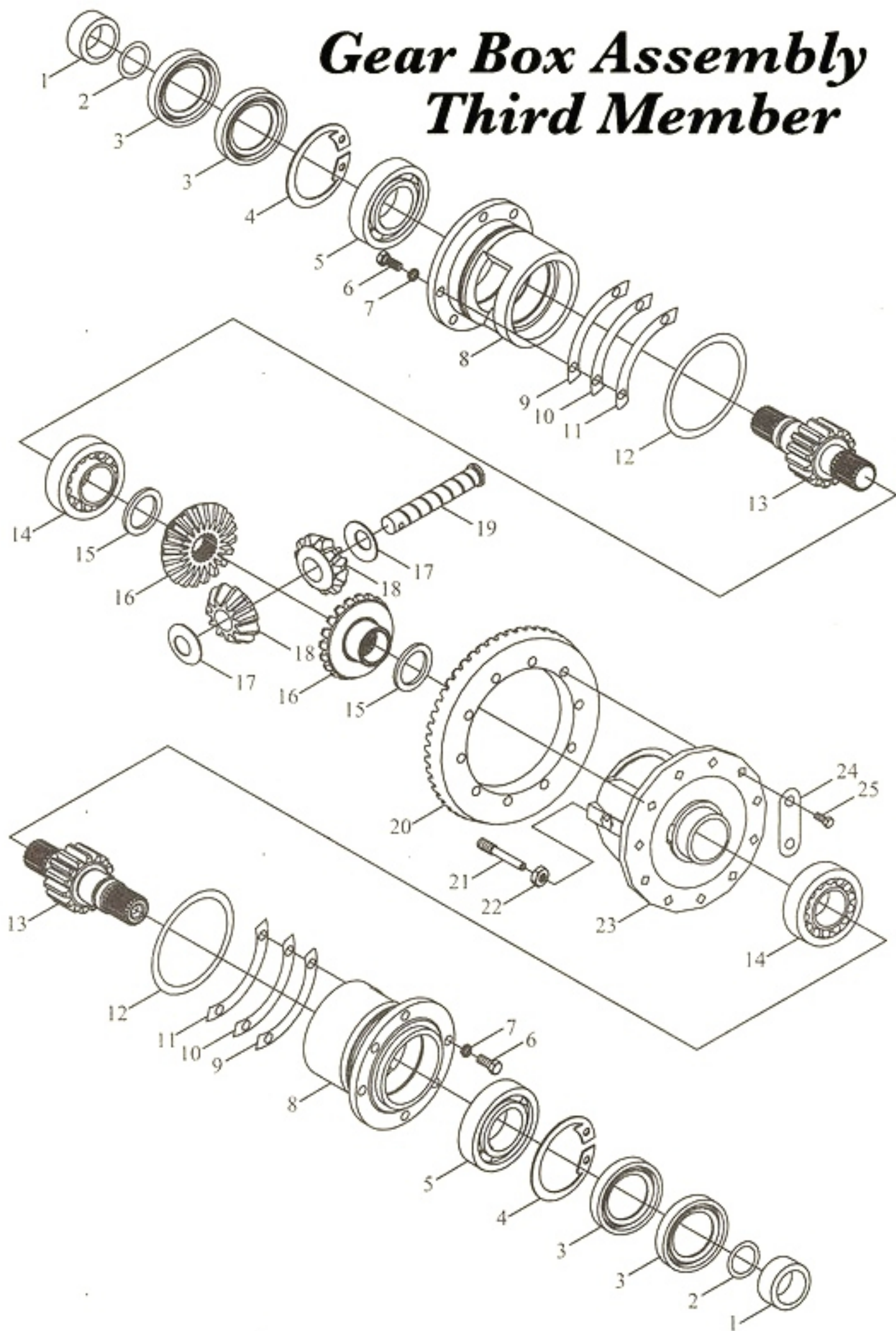


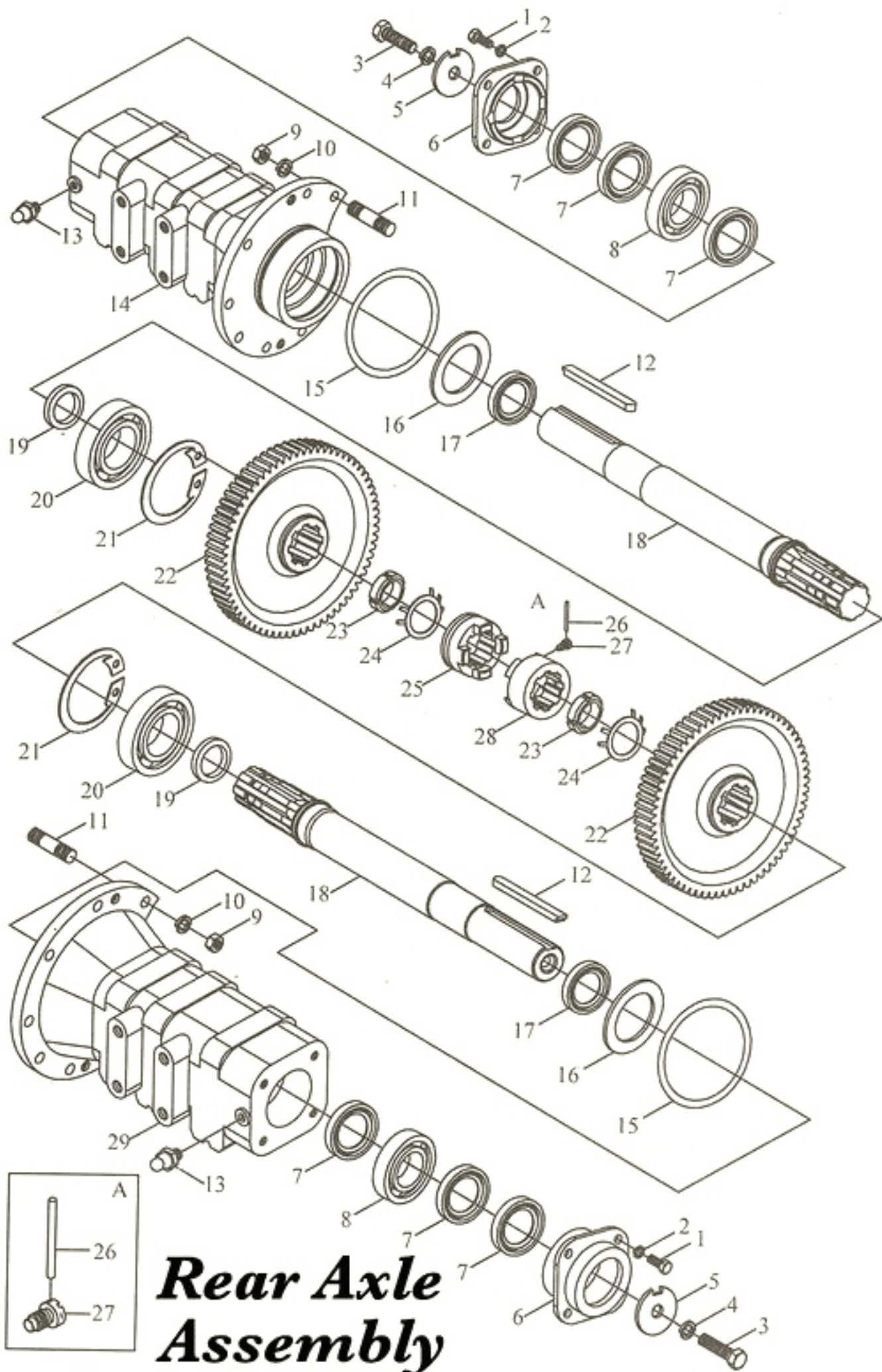
Gear Box Assembly

Drive Shaft

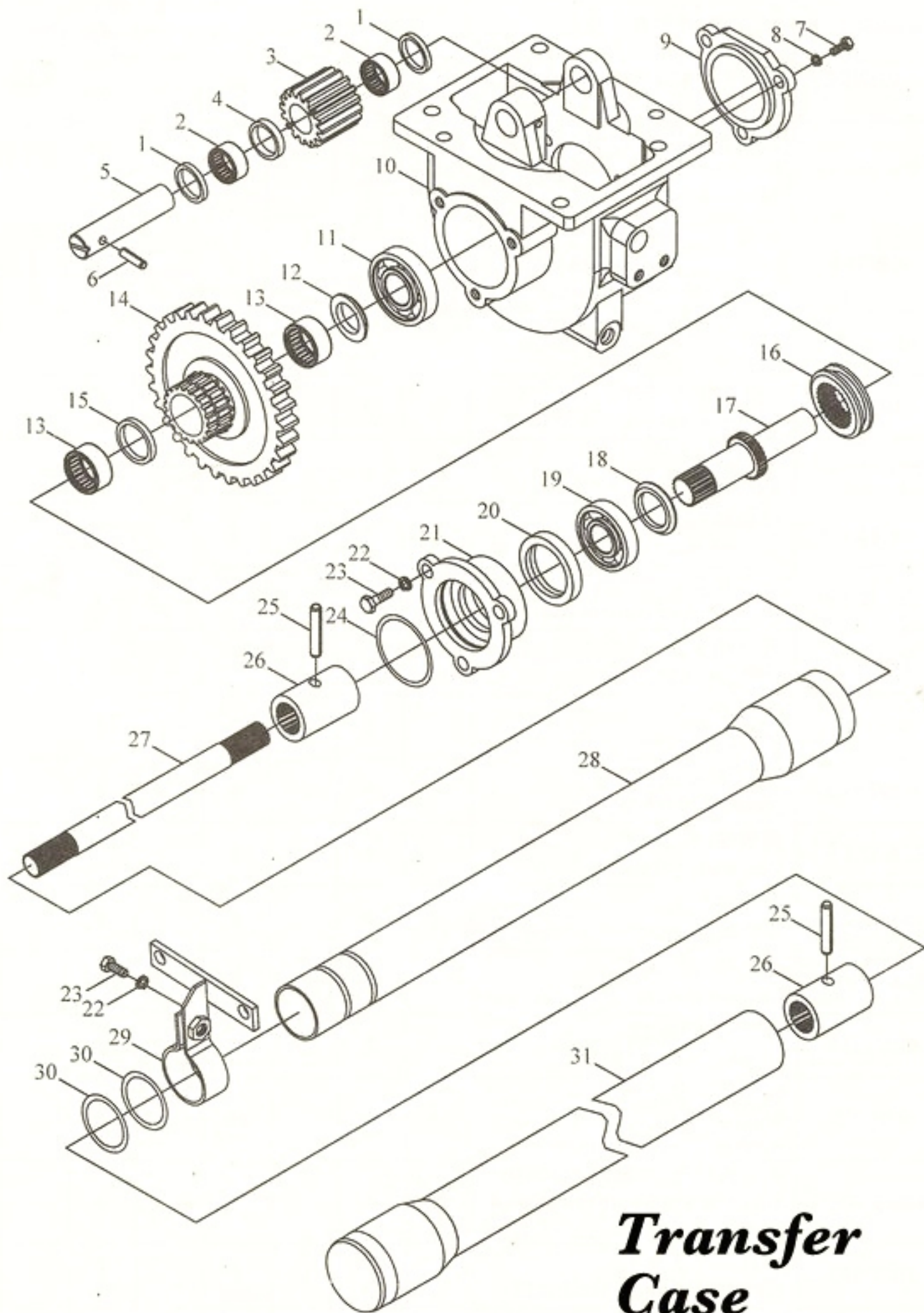


Gear Box Assembly Third Member



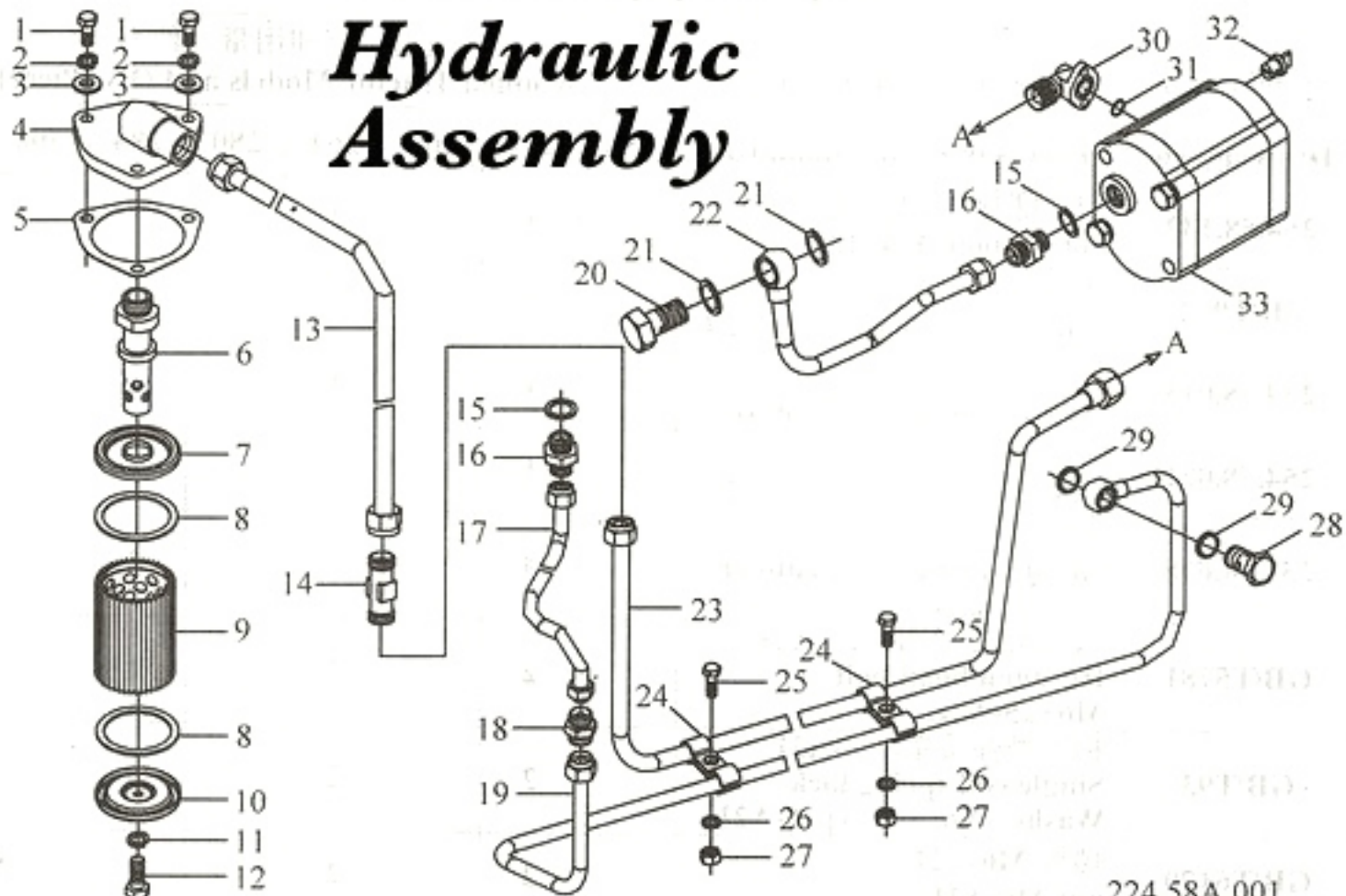


Rear Axle Assembly

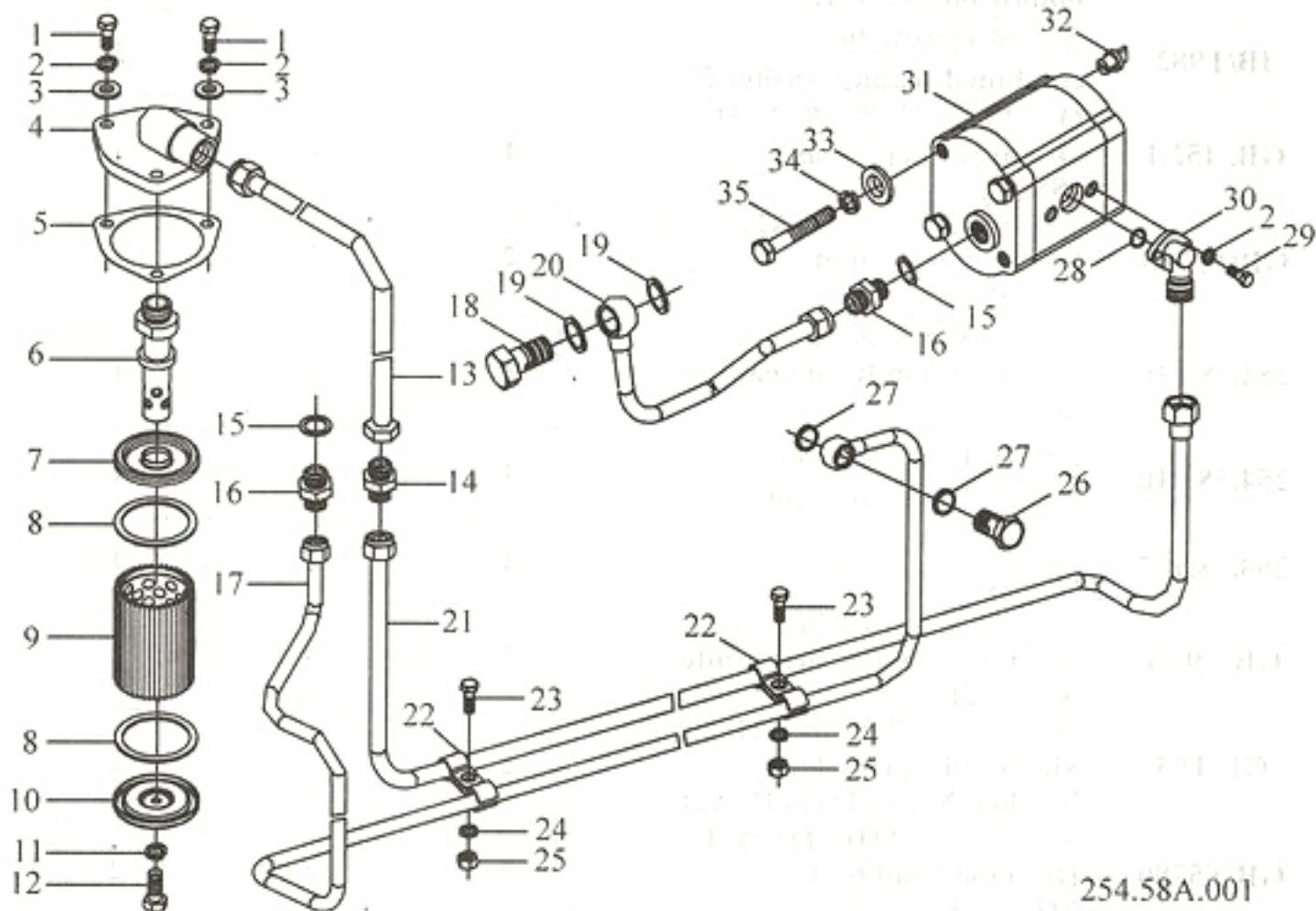


***Transfer
Case***

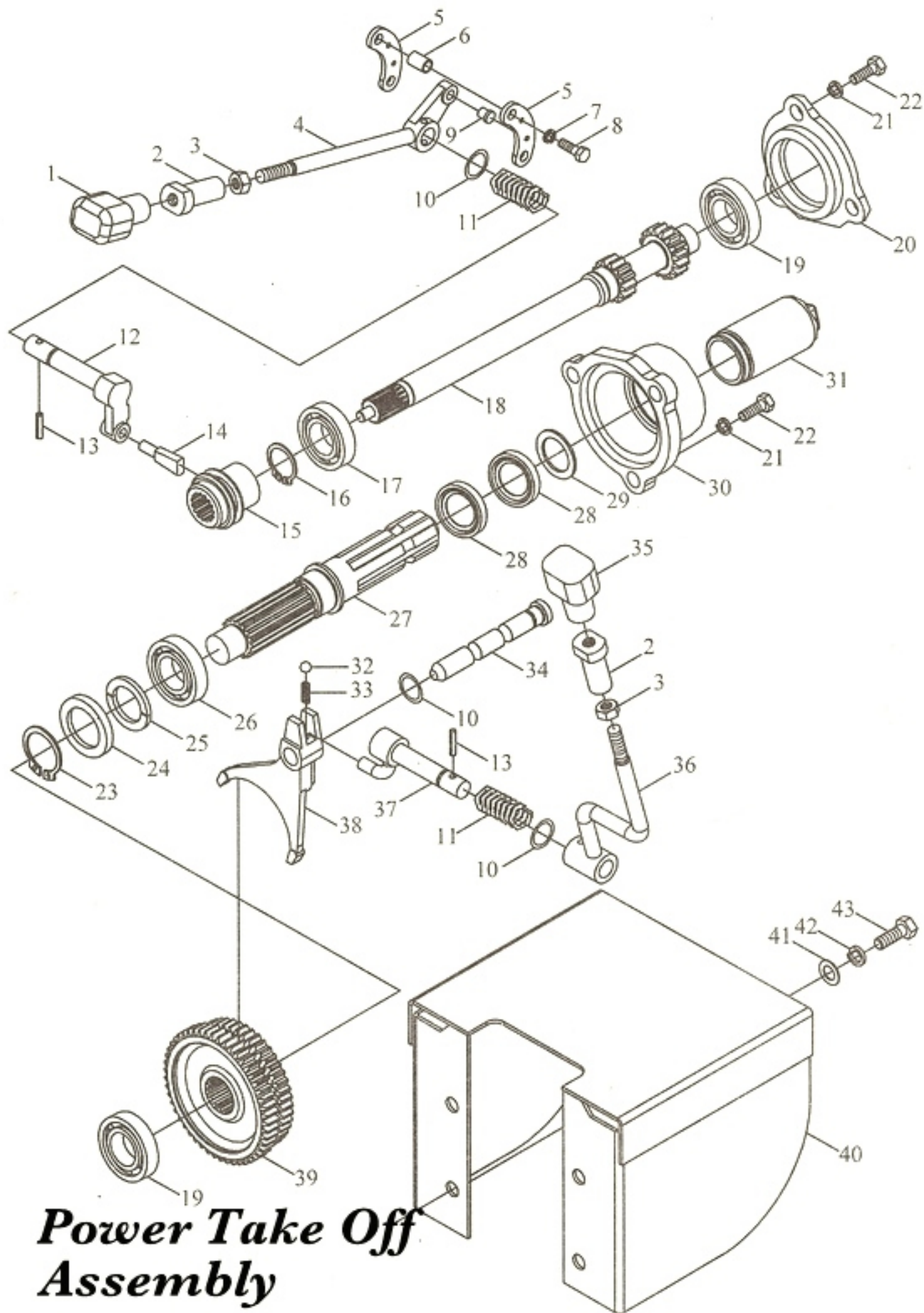
Hydraulic Assembly



224.58A.001



254.58A.001



***Power Take Off
Assembly***